



Bell Hydromatics Fixed Displacement Vane Pumps Double Pumps IVP(Q)42



IVP(Q)42 DoublePumps Max. Continuous Pressures

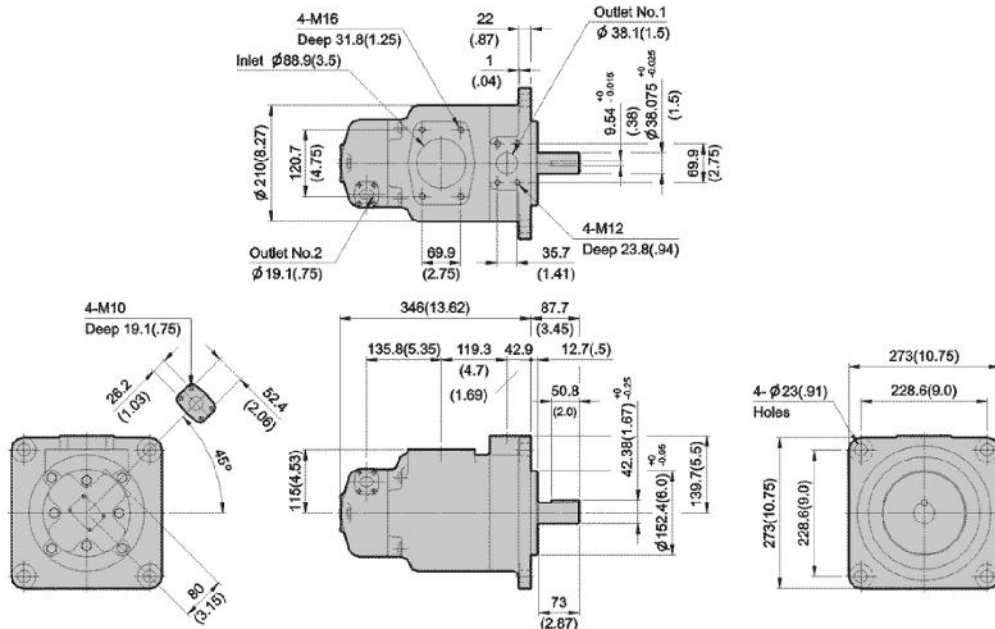
Model	Shaft end Pump (No.1 Outlet)			Cover end Pump (No.2 Outlet)			Max. Speed rpm	Min. Speed rpm
	◆Code	Geometric Displacement cm ³ /r	Max. Pressure bar	◆Code	Geometric Displacement cm ³ /r	Max. Pressure bar		
IVP(Q)42	30	96.0	♣172 F3 = 69 F11 = 157	17	52.5	♣172 F3 = 69 F11 = 157	1800 F3 = 1200 F11 = 1500	600
	35	109						
	38	128						
	42	134						
	50	156		21	65.5			
	60	189						
	67	210		25	78.6			
	72	236						

◆ Rated capacity in USgpm at 1200 rpm and 6.9 bar.

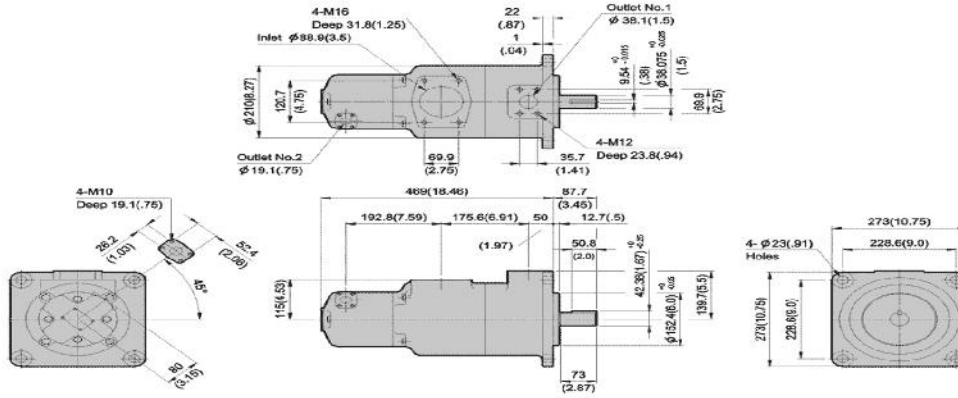
♣ Transient (peak) pressure 10% over the max. continuous pressure rating for 0.5 seconds or less duration is allowed.

Dimensions

IVP42 Double Pumps: Flange Mounting

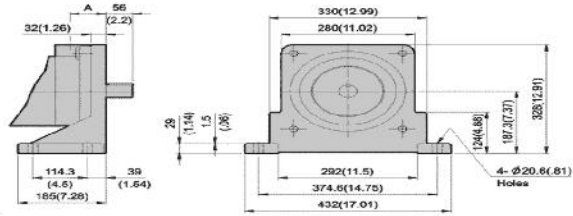


IVPQ42 Double Pumps: Flange Mounting



IVP(Q)42 Double Pumps: Foot Mounting

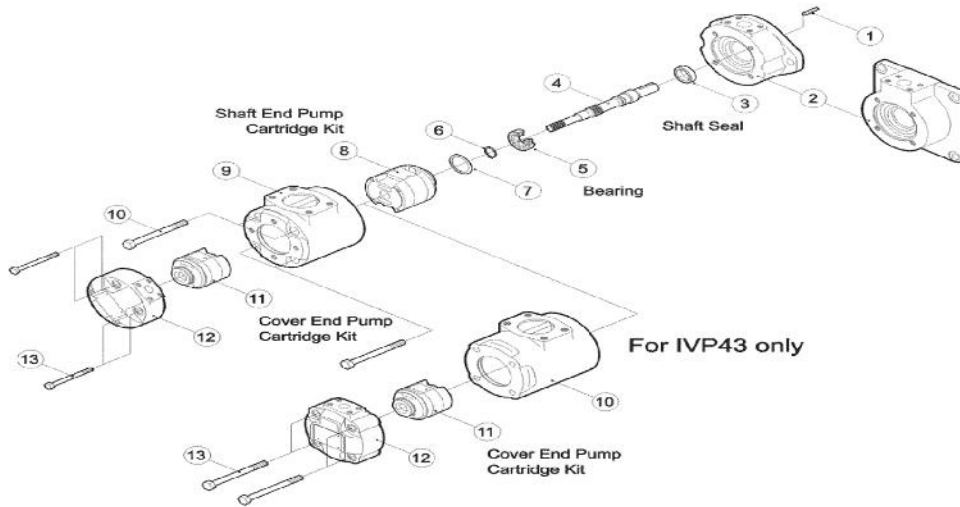
MODEL	DIMENSION
IVP42	75(2.95)
IVPQ42	82(3.23)



For other dimensions, refer to "Flange Mounting" type

Assembly

IVP42 Double Pumps – Assembly



IVPQ42 Double Pumps – Assembly

